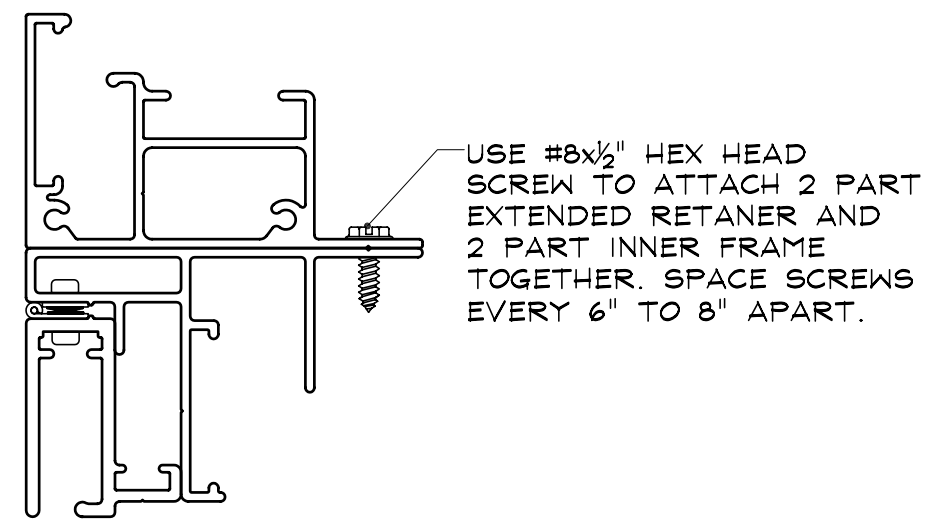
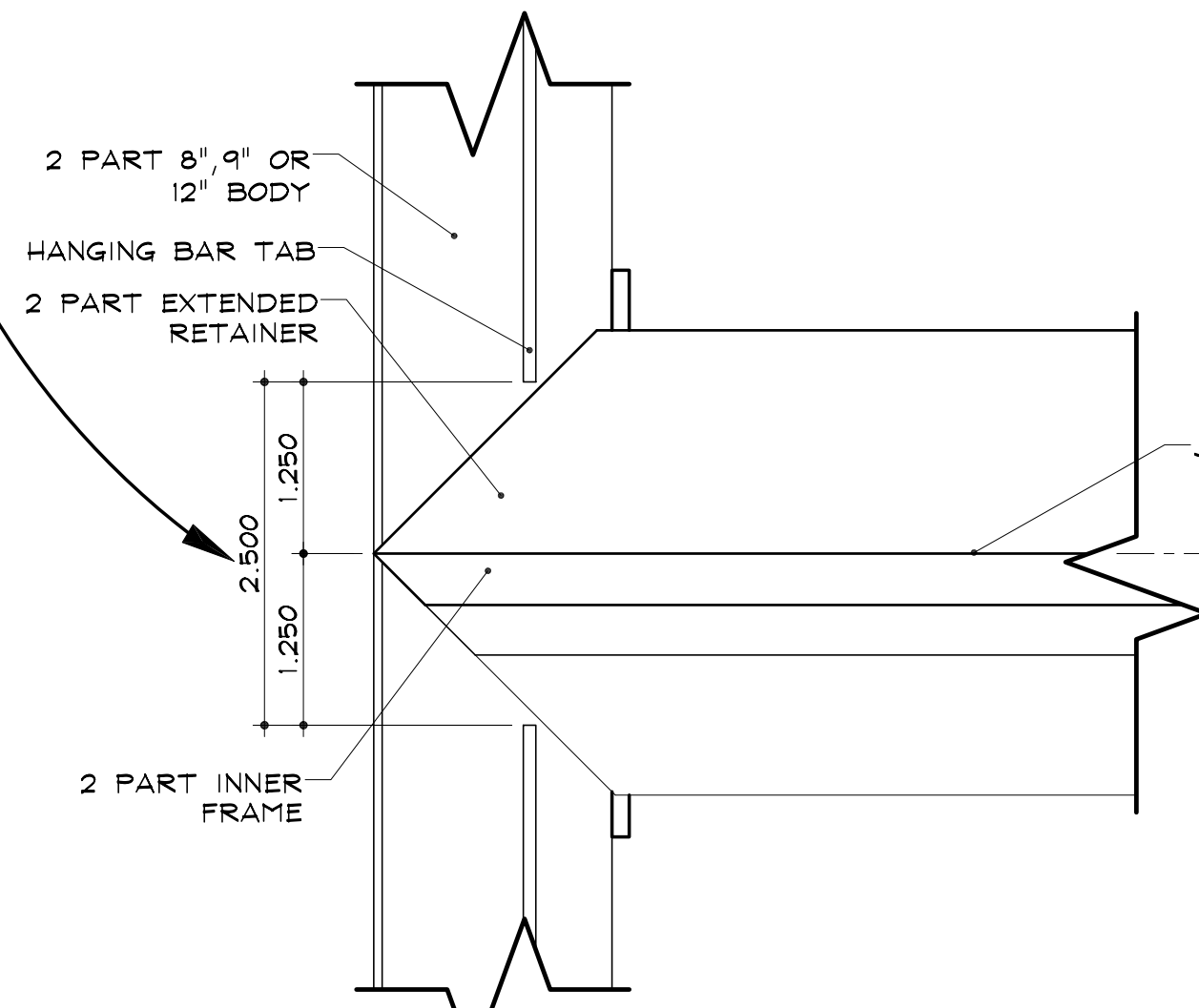


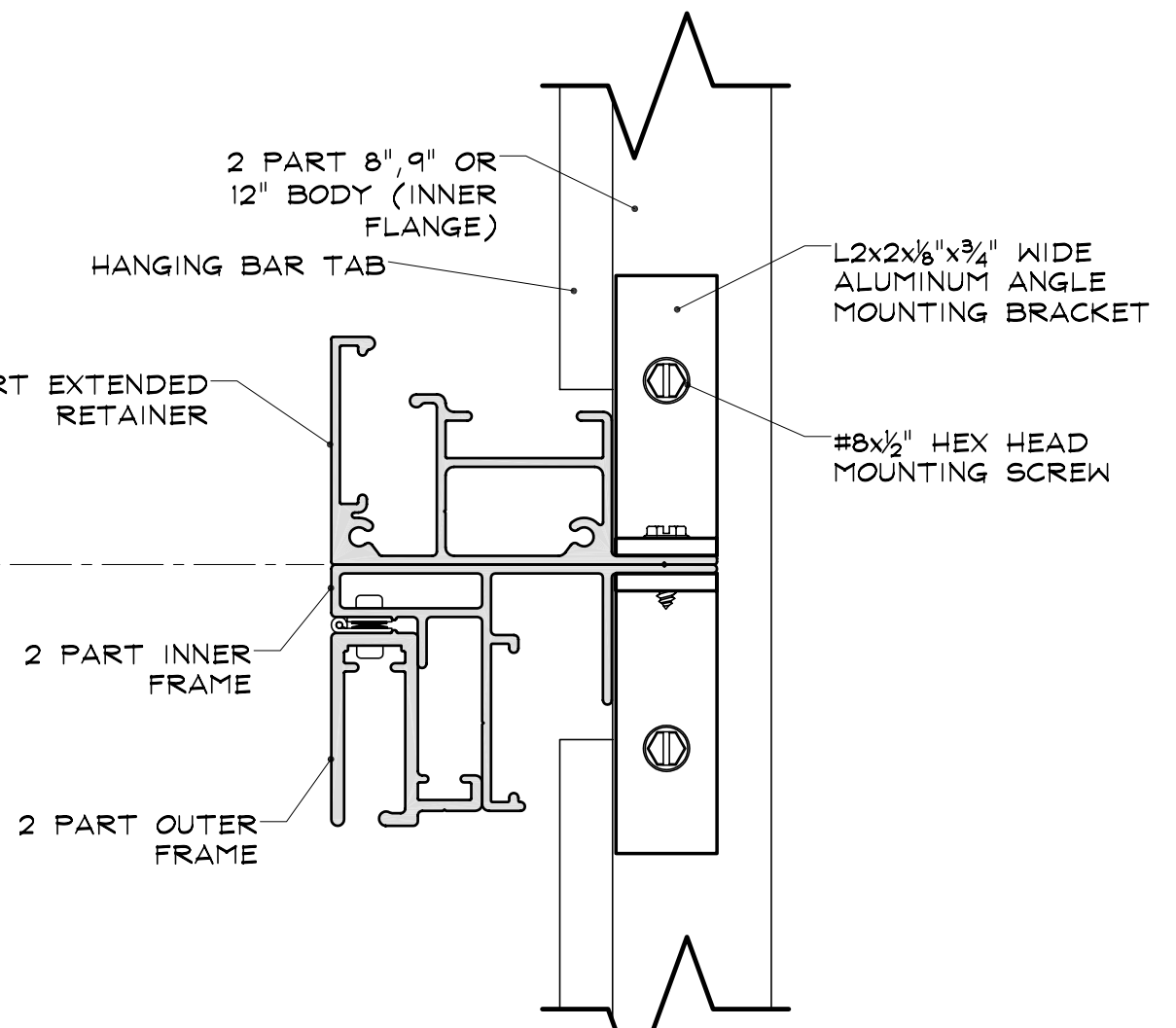
**TOP VIEW**  
SCALE : 3/4" = 1"



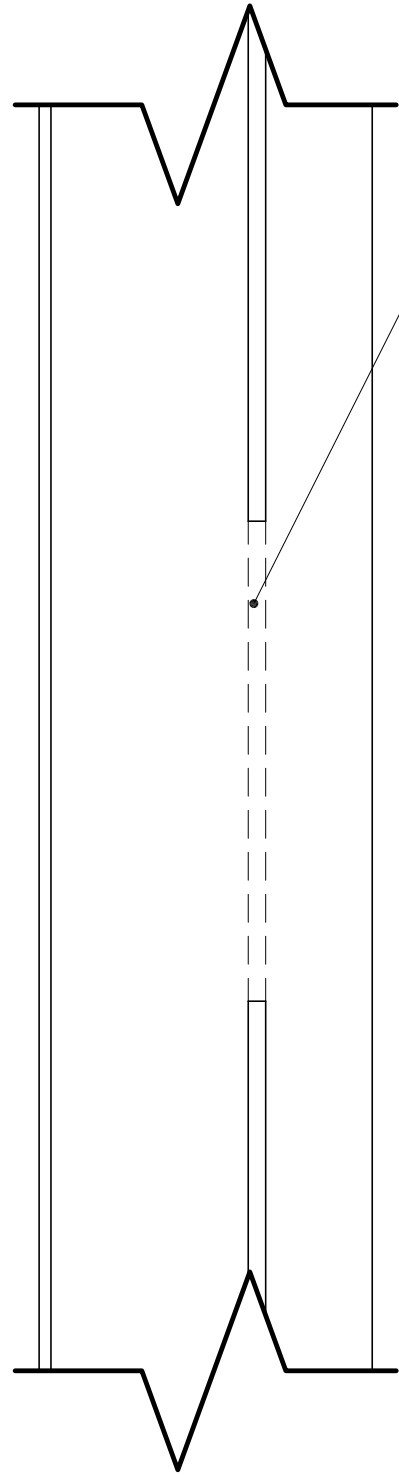
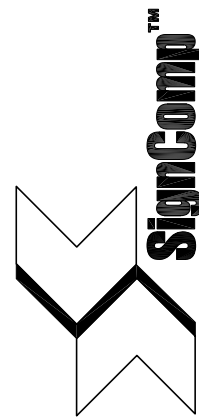
**ATTACHMENT SECTION DETAIL**  
SCALE : 3/4" = 1"



**FRONT VIEW**  
SCALE : 3/4" = 1"



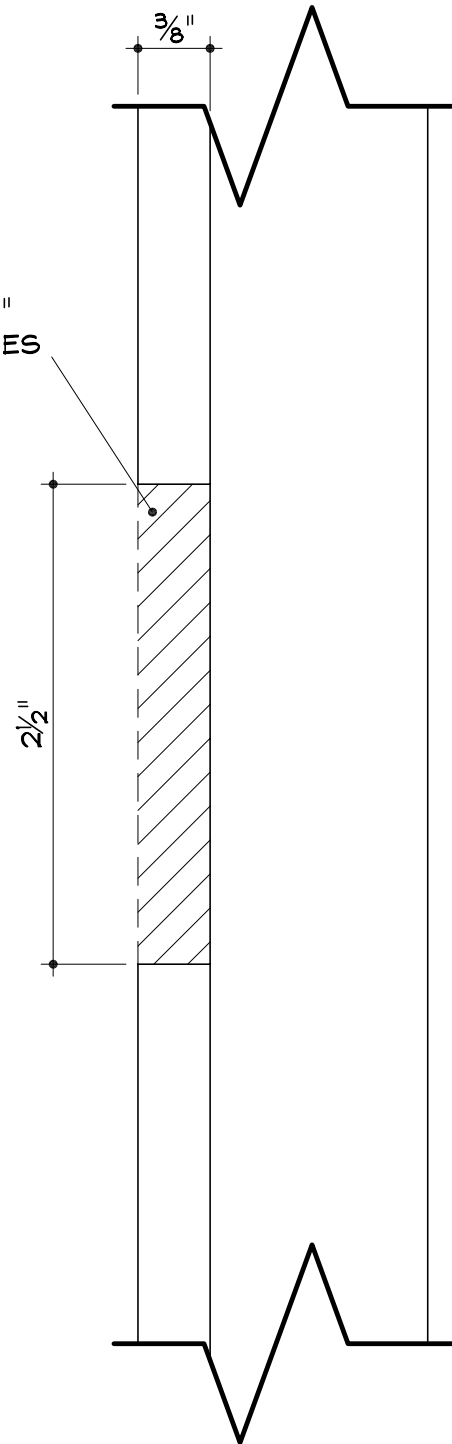
**INSIDE SIDE VIEW**  
SCALE : 3/4" = 1"



FRONT VIEW (BODIES)

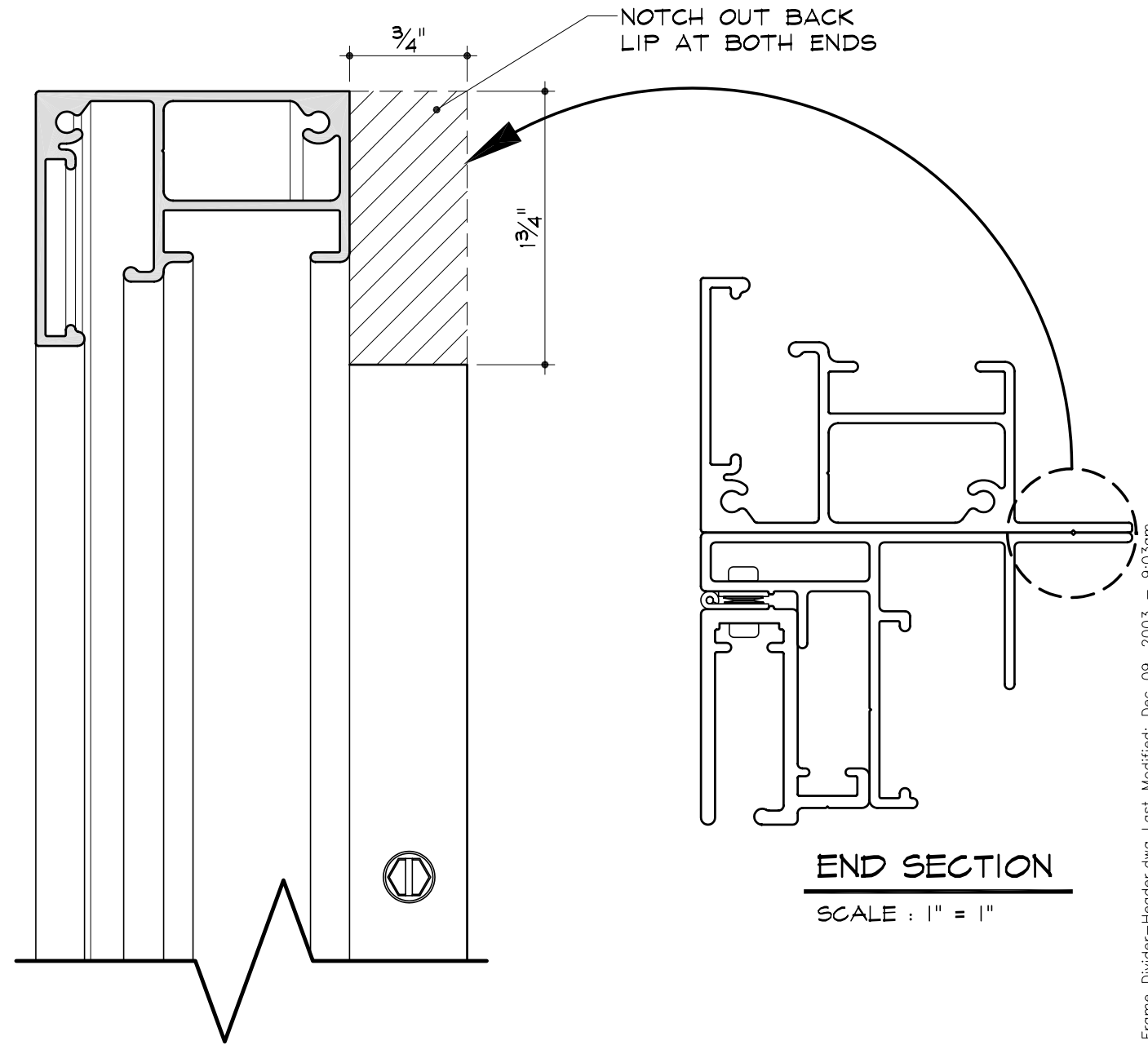
SCALE : 1" = 1"

NOTCH OUT HANGING  
BAR LIP FROM 8", 9"  
OR 12" 2 PART BODIES



FRONT VIEW (BODIES)

SCALE : 1" = 1"



TOP VIEW (EXT. RETAINER/INNER FRAME)

SCALE : 1" = 1"

END SECTION

SCALE : 1" = 1"